



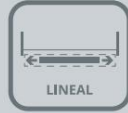
CANTIDAD DE PUERTAS



MONTAJE DE PUERTA



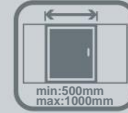
MONTAJE DE CARRO



MOVIMIENTO DEL SISTEMA



CAPACIDAD DE CARGA POR HOJA



ANCHO DE PUERTA



ESPESOR DE PUERTA



MATERIAL DE PUERTA



Sliding system for interior doors made of wood. maximum weight of sheet up to 80 kg. 2 meter rail. Easy installation.

APPLICATIONS

| Pass Doors.

QUALITIES

- | Sliding system for interior doors made of different types of wood, from MDF, to Natural Pine, Rustic Pine, etc.
- | System has anti-derailment rubber stops that are fixed to the upper edge of the door.
- | Adjustable career stops along the 2mt rail.
- | Provided with three lower fixed guide options.
- | The Kit includes all the necessary components to assemble 1 door.



BARN DOOR

HANGING SYSTEM FOR INTERIOR DOORS



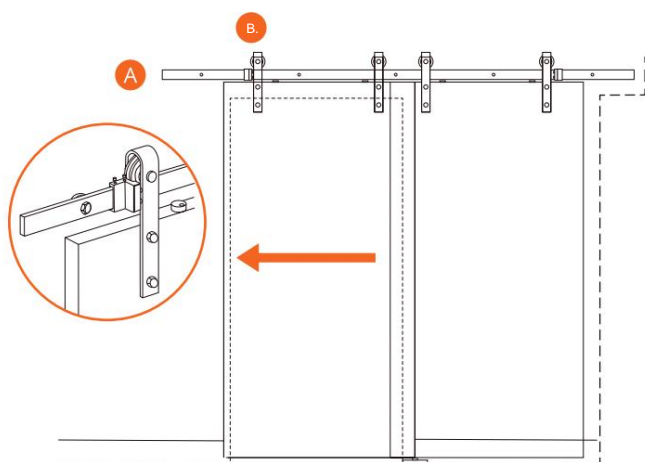
96 HORAS
RESISTENCIA
A LA CORROSIÓN
UNE-EN 1670



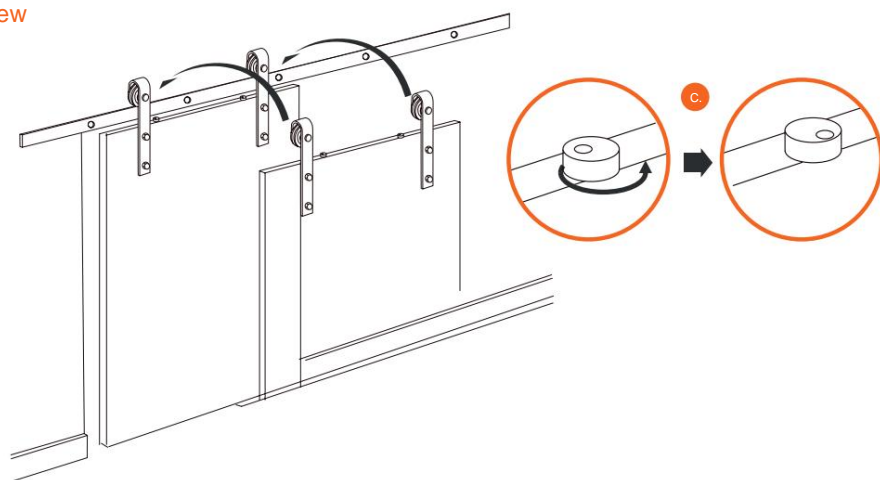
100,000
CYCLES
TESTEO DE
DURABILIDAD
UNE-EN 1527

FACILITY

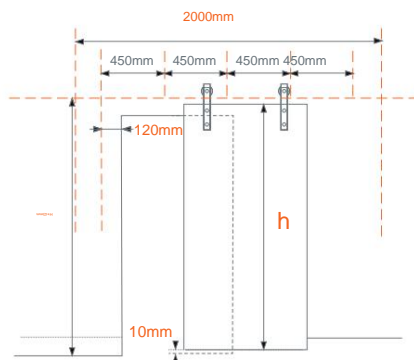
General Scheme



Side view



Distribution of Fixings



BARN DOOR KIT

(FOR ONE SHEET)

Minimum dispatch: 01 unit.
4010900010

A	1 Rail of 2 meters.	
B	2 U channel wheel set + fixing plate	
C	2 Anti-derailment stops	
D	2 travel stops	
E	1 embedded lower guide	
F	2 lower guides (floor fixing)	
G	1 Guide info. adjustable (wall fixing)	
h	5 Wall fixing sets	
	1 allen key	
J	bindings	