

1A89

Push-Open Undermount Slide (16mm)



Specifications

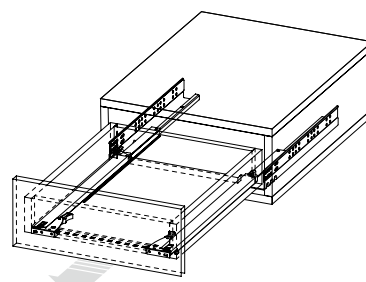
- **Length:** 250mm to 600mm
- **Travel:** Full Extension
- **Maximum Drawer Side Thickness:** 16mm
- **Max. Load Capacity:** 45 kg(100 lb)/pair
- **Mount:** Undermount
- **Material:** Galvanized Steel
- **Packing:** Unit Packed in 2 pairs/carton
6 pairs/carton

Features

- Handle-free push-open allowing for complete drawer access even when hands are full
- Drawers can be ejected to its full extent even when at its full weight bearing capacity
- All mechanical device, instead of electric-driven, ergonomic and energy saving
- Undermount with full extension travel length
- Ultra smooth with high rigidity and stability design
- Signature patent pending tool-less ejection-force adjustment to fit your convenience
- Ergonomic design to increase usability and efficiency
- 2 dimensional trimming system provides tool-less height and depth adjustments
- Effortless assembly and removal of drawer with front release lever
- High dynamic loading capacity of 34kg (75lb) with 100,000 life cycles, or 45kg (100lb) with 50,000 life cycles
- High installation allowances for drawer width: +0.5/-1.5 mm, and for drawer depth: +1/-1 mm

Applications

- For Frameless Cabinet :Kitchen Furniture, Kitchen Cabinetry, Home Cabinetry and Box Drawers

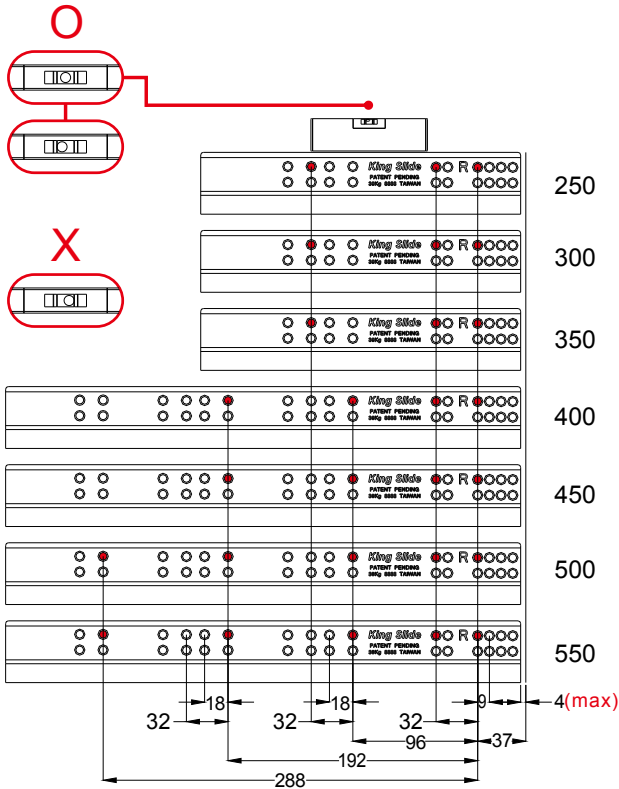


Dimension Specifications

Cabinet Holes Position

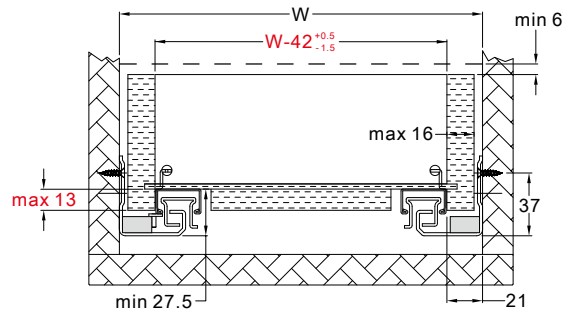
- Red Dots : Minimum Screw Required

Note: Ensure the slide is parallel to the horizon or tilt to cabinet front on both sides during installation.

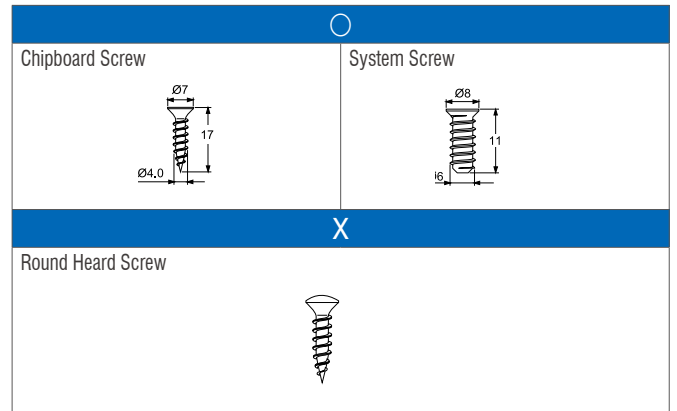


Note: Holes other than those shown may be in the slide member at King Slide's option and may change without notice.

Space Requirement



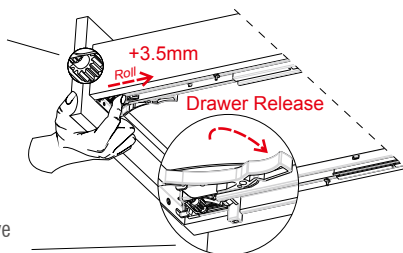
W : Internal Cabinet Width



Item No.	Total Length (mm)	Slide Travel (mm)	Max. Loading Capacity kg(lb) / pair
1A89-250	250	224	45 (100)
1A89-300	300	280	45 (100)
1A89-350	350	340	45 (100)
1A89-400	400	390	45 (100)
1A89-450	450	440	45 (100)
1A89-500	500	490	45 (100)
1A89-550	550	540	45 (100)
1A89-600	600	590	45 (100)

Easy Assembly with Front-End Installation

Tool-less Height Adjustment :
Simply rotate the wheel at the front bottom of the drawer to adjust the drawer height



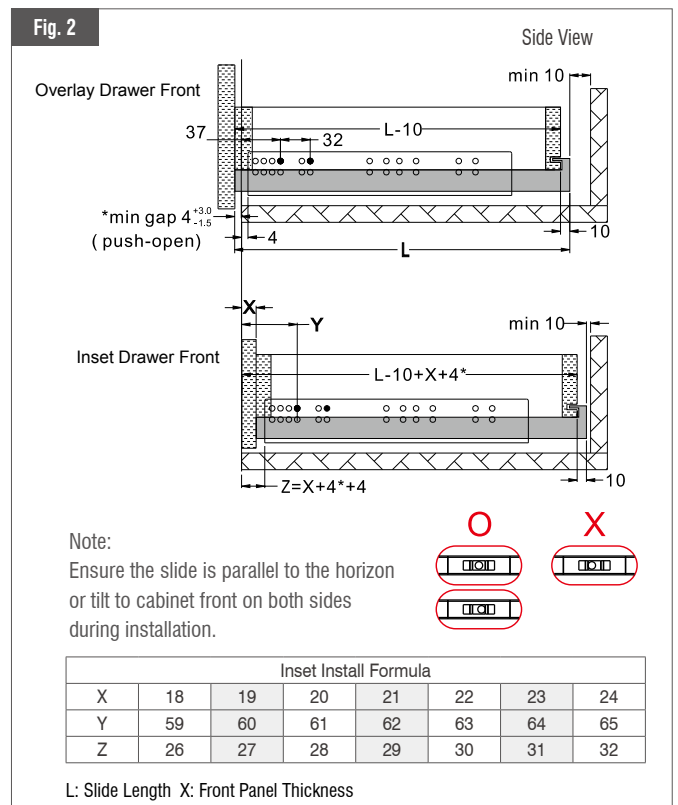
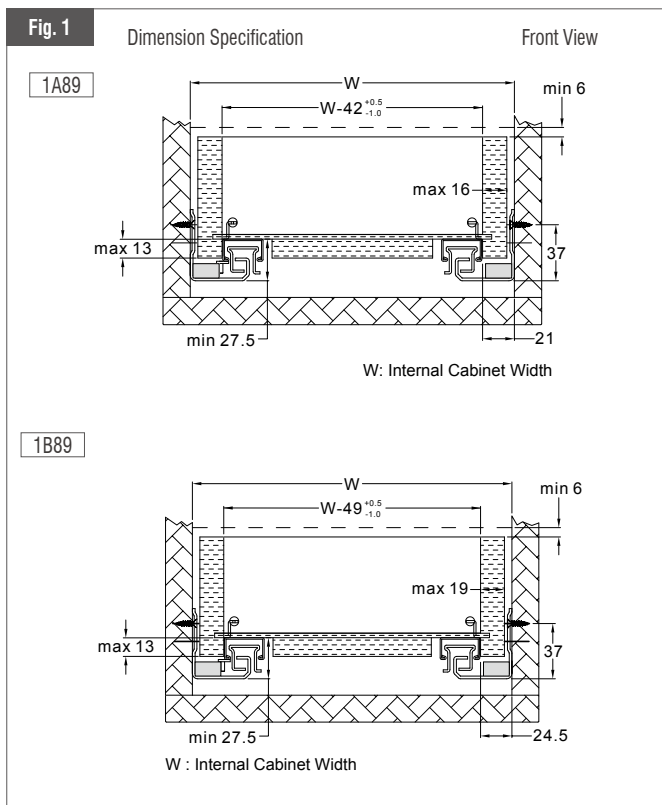
Drawer Removal:
Simply press the front release device to remove the drawer

Our specially designed front-end installation allows quick and simple drawer installation and removal processes. The quick connect and disconnect device is located at the front-end under the drawer, keeping intact the elegant appearance of the drawer.

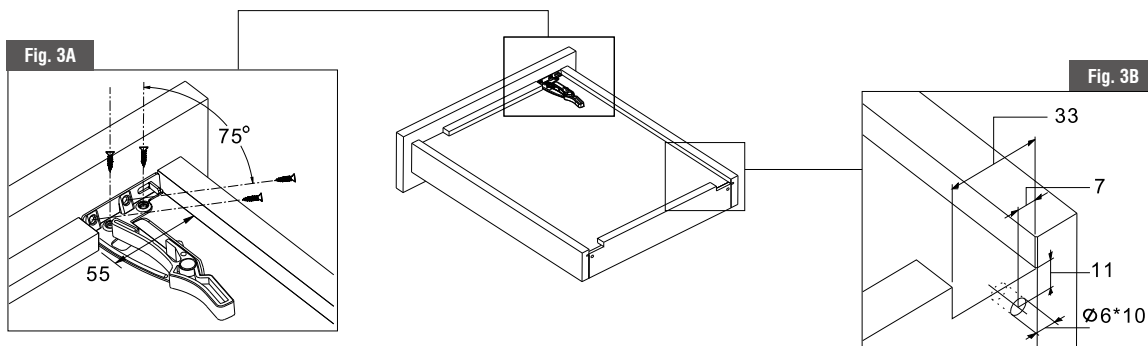
Installation Instruction

1A89 & 1B89

1. Before installing the slides, make sure the dimensions of the cabinet and drawer meet the requirements specified in Fig. 1 and 2.
2. Drill holes on the cabinet following the 'Cabinet Holes Position' drawing on the reverse page. Mount the slides on the cabinet using the recommended type of screws.
3. Make cut-outs on the drawer according to Fig. 3A and Fig. 3B's dimension (Using the drill template FLOOZD0-A as page 1.39 is recommended), then install the front release lever according to Fig. 3A.

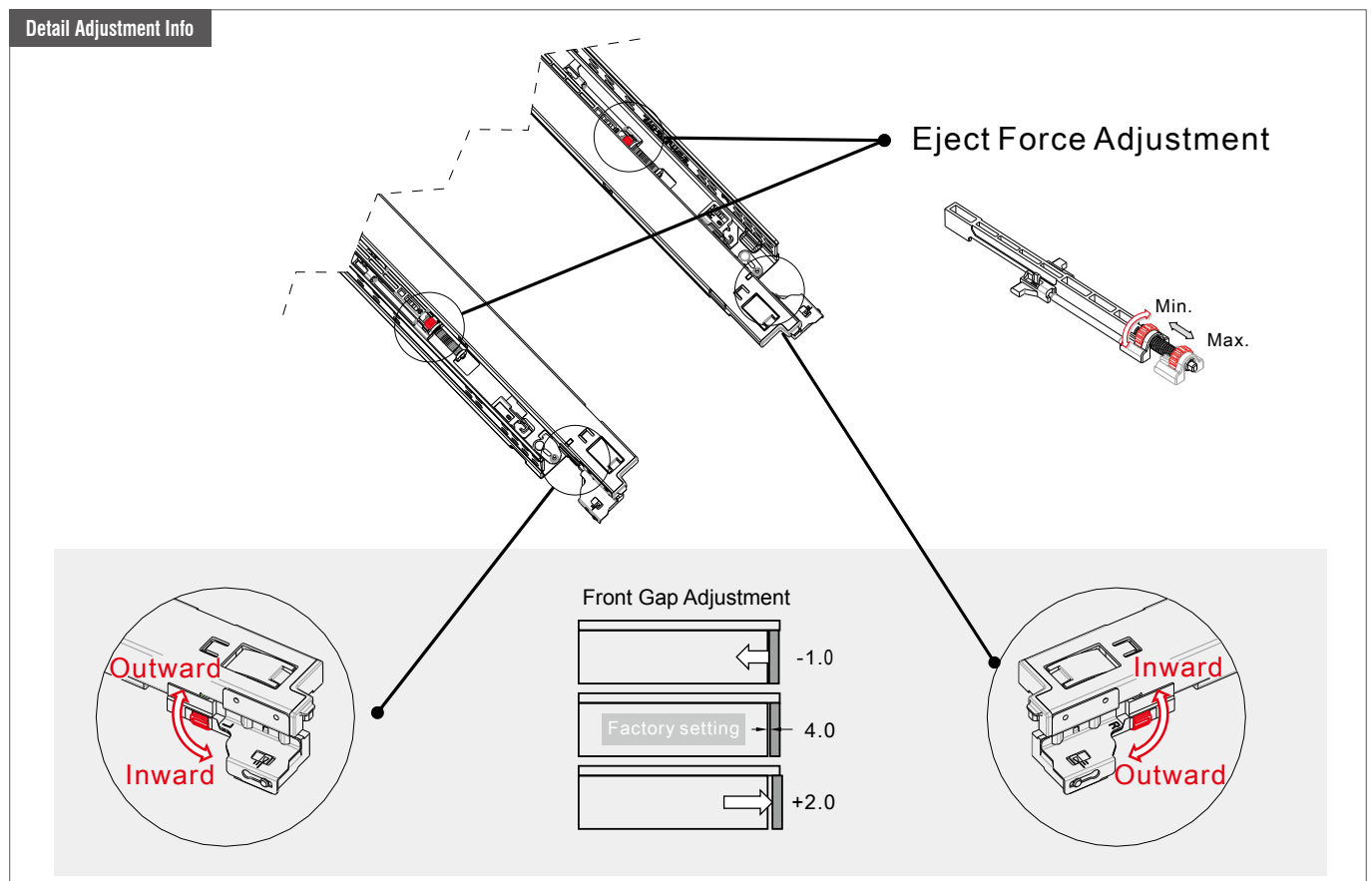
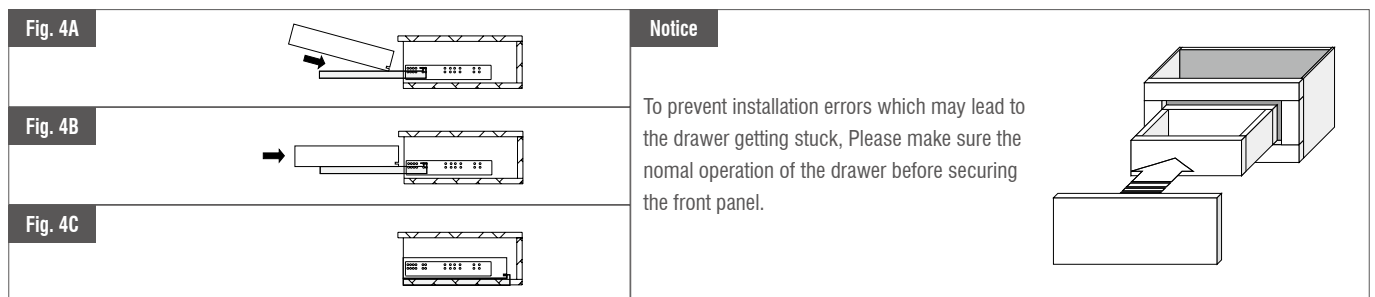


Installation Requirement



You can use optional drill template FL-00ZD0-A as page 1.39

4. Pull out the slides on the cabinet.
5. Position and align the drawer with the slide as shown in Figs. 4A and 4B. Push the drawer all the way into the cabinet as shown in Fig. 4C until clicked to complete the installation.
6. After confirming the drawer is operating normally, install the front panel.
7. If height / depth adjustment is needed after installation, please refer to the Detail Adjustment Info. below or the feature diagram on the previous page.



Notes for installation

1. Ensure the drawer body appearance is upright. It could not be diamond trapezoidal or distorted!
2. Ensure the side space, depth on both sides are consistent.
3. Ensure the installation location or the cabinet is on a flat surface.
4. Ensure the front release lever is installed correctly.
5. Ensure the drawer dimensions, rear notch locking hole, internal drawer width, and the drawer bottom recess are correct.