

3M89

45 x 12.7mm

Medium Duty Slide

-Push-Open



Specifications

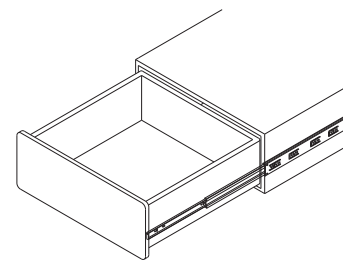
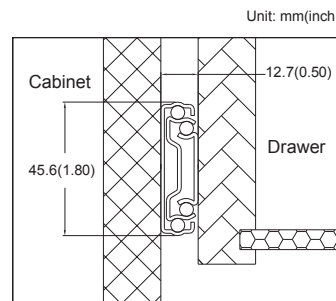
- **Length:** 250mm to 700mm (10" to 28")
- **Travel:** Full Extension
- **Side Space:** 13.0mm (+0.5mm-0mm)
- **Height:** 45mm (1.80")
- **Max. Loading:** 45 kg (100 lb)/pair
- **Mount:** Side Mount
- **Disconnect:** Lever Disconnect
- **Finish:** Clear Zinc or Black
- **Material:** Cold Rolled Steel
- **Packing:** Unit Packed in 10 pairs/carton
Bulk Packed in
40 pcs/carton for cabinet member
100 pcs/carton for drawer member

Features

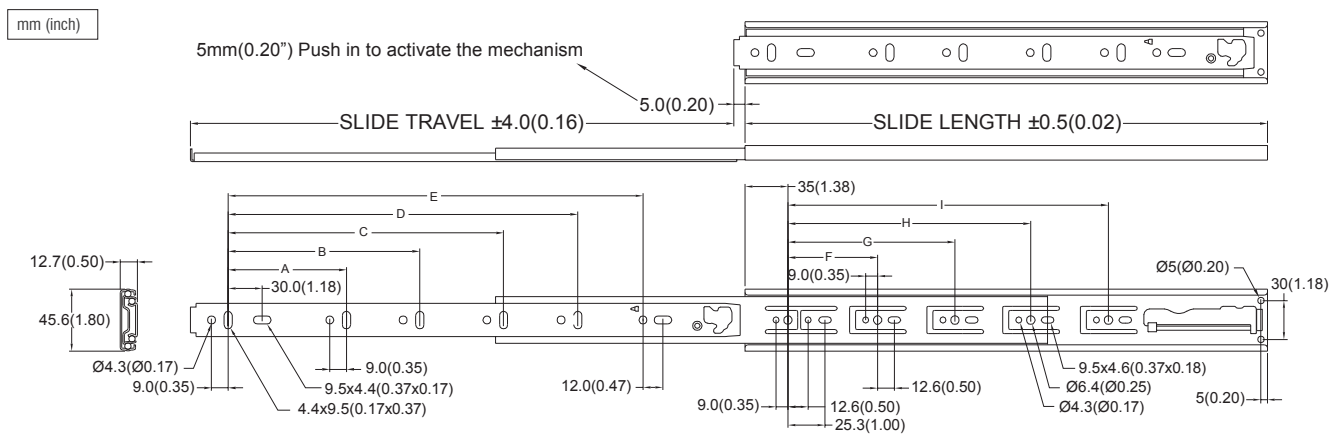
- Push-Open, Handle-Free
- Dual design allows for traditional pull-open preventing damages caused by improper installation and usage
- Ultra smooth with high rigidity and stability design
- 50,000 life cycles guaranteed under proper installation and normal usage

Applications

- Medical Equipment, Industrial Work Stations, Office Furniture, Kitchen Furniture, Home Cabinets and Box Drawers



Dimension Specifications



Note: Holes other than those shown may be in the slide member at King Slide's option and may change without notice.

Item No.	Slide Length mm (inch)	Slide Travel mm (inch)	Loading Capacity kg (lb) / pair	HOLES POSITION mm (inch)								
				A	B	C	D	E	F	G	H	I
3M89-250	250.0 (9.84)	225.7 (8.88)	22.7 (50.0)	—	—	—	—	161.0 (6.34)	—	—	—	96.0 (3.78)
3M89-300	300.0 (11.81)	300.7 (11.84)	27.3 (60.0)	128.0 (5.04)	—	—	—	211.0 (8.31)	—	—	—	128.0 (5.04)
3M89-350	350.0 (13.78)	350.7 (13.81)	34.1 (75.0)	128.0 (5.04)	—	—	—	261.0 (10.28)	128.0 (5.04)	—	—	192.0 (7.56)
3M89-400	400.0 (15.75)	400.7 (15.78)	40.9 (90.0)	128.0 (5.04)	—	—	—	311.0 (12.24)	128.0 (5.04)	—	—	224.0 (8.82)
3M89-450	450.0 (17.72)	450.7 (17.74)	45.4 (100.0)	128.0 (5.04)	320.0 (12.60)	—	—	361.0 (14.21)	128.0 (5.04)	—	—	288.0 (11.34)
3M89-500	500.0 (19.69)	500.7 (19.71)	45.4 (100.0)	128.0 (5.04)	224.0 (8.82)	320.0 (12.60)	—	411.0 (16.18)	128.0 (5.04)	224.0 (8.82)	—	320.0 (12.60)
3M89-550	550.0 (21.65)	550.7 (21.68)	45.4 (100.0)	128.0 (5.04)	224.0 (8.82)	416.0 (16.38)	—	461.0 (18.14)	128.0 (5.04)	224.0 (8.82)	—	384.0 (15.12)
3M89-600	600.0 (23.62)	600.7 (23.65)	38.6 (85.0)	128.0 (5.04)	224.0 (8.82)	416.0 (16.38)	—	511.0 (20.12)	128.0 (5.04)	224.0 (8.82)	352.0 (13.86)	448.0 (17.64)
3M89-650	650.0 (25.59)	650.7 (25.62)	31.8 (70.0)	128.0 (5.04)	224.0 (8.82)	416.0 (16.38)	544.0 (21.42)	561.0 (22.09)	128.0 (5.04)	224.0 (8.82)	352.0 (13.86)	480.0 (18.90)
3M89-700	700.0 (27.56)	700.7 (27.59)	27.2 (60.0)	128.0 (5.04)	224.0 (8.82)	416.0 (16.38)	544.0 (21.42)	611.0 (24.06)	128.0 (5.04)	224.0 (8.82)	352.0 (13.86)	544.0 (21.42)