

HÄFELE

Now Available Push To Open Hinge System

Concealed Hinge, Salice PUSH, 110° Opening Angle, Self Opening, Full Overlay

Salice, Screw mounting,

Item no. 329.17.800

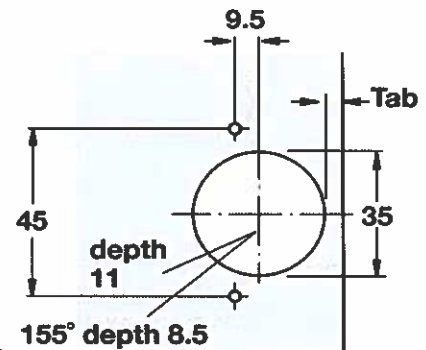
\$39.38

Item Details

- Developed to meet the market trend of handle-less furniture
- Self-opening hinges and release devices that can easily be mounted to your furniture
- Allows for a very "clean" design appearance
- Reverse-spring hinges help "PUSH" the door open



Screw mount

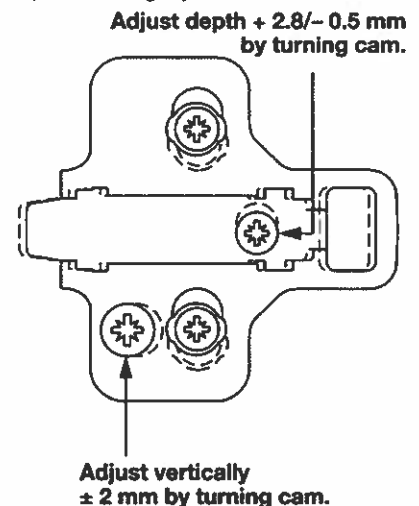
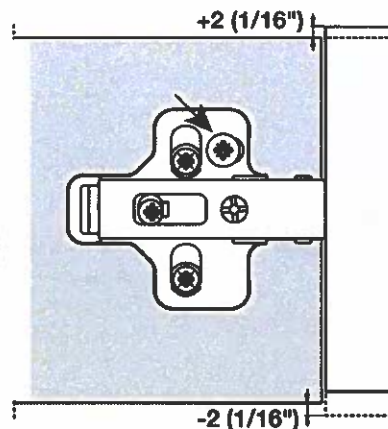
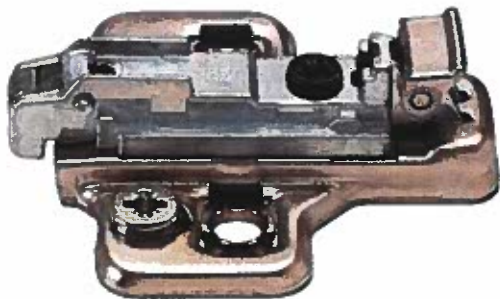


Clip Mounting Plate, Salice, steel, with chipboard screws

0 mm, BAR3L09F

Item Details

- Automatic Adjustment Response feature: a slight turn of the depth adjustment cam or vertical cam quickly positions hinge – eliminating need for manual positioning by loosening screws.



HÄFELE

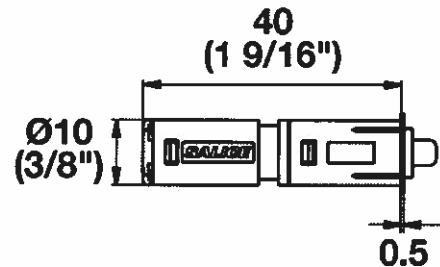
Now Available Push To Open Hinge System

Release Device

Salice, Beige

Item no. 356.06.462

\$49.50



Magnetic Device, for Heavier Doors

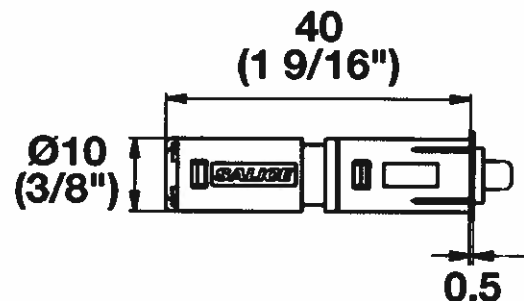
Salice, Beige

Item no. 356.06.472

\$54.00

Item Details

- Magnetic device to be used to increase the magnetic holding strength
- The suggested position of the DPM is the point of pressure on the door
- The DPA can be positioned at any point along the opening edge of the door



HÄFELE

Now Available Push To Open Hinge System

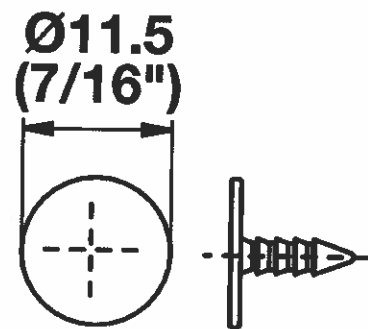
Retaining Catch, with Pin

Salice, Steel, nickel plated

Item no. 356.06.464 **\$0.84**

Item Details

- Apply the retaining catch to the magnetic release device
- Close the door
- The point of the retaining catch will show where to insert it
- Reopen the door and press the retaining catch



Magnetic Catch, Adjustable

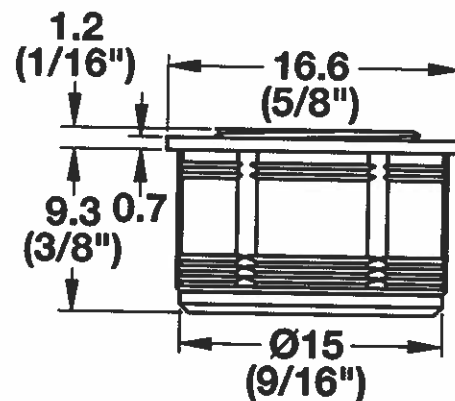
Salice

Item no. 356.06.466 **\$39.94**

Item Details

- Inserts into the door
- Increases holding power
- Ideal for larger, heavier doors
- Features depth adjustment
- Dimensions $\text{Ø} \times \text{D}$: 15 x 11 mm (9/16 x 7/16")

Material
Housing: Plastic
Plate: Steel



ALL PRICES ARE VAT INCLUSIVE

Sen Jam